



## BUNK HEATER KIT Part # PK3012 & PK3004

The Proheat Bunk Heater Kit PK3012 for 12 Volt systems and PK3004 for 24 Volts system will work with both the Analog Thermostat and the CAN Bus Thermostat.

### Locating the Bunk Heater

#### ⚠ CAUTION

When running the coolant hoses maintain a tight seal between the hose and the vehicle floor to prevent ingress of exhaust gases into the vehicle.

The most suitable location for mounting the Bunk heater will vary depending on the type of vehicle. Recommended locations are under the bunk in sleeper applications or behind/under the seat in cab applications.

Choose a location that:

- won't interfere with normal vehicle operation and storage of gear
- allows easy access for servicing
- is free of any obstruction under the cab such as brake or air lines, electrical wiring, cross members or anything else that may interfere with the installation and connection of coolant lines.
- has adequate return air flow to the bunk heater.

The Bunk Heater Kit must be connected to a battery power source as shown in figure A.

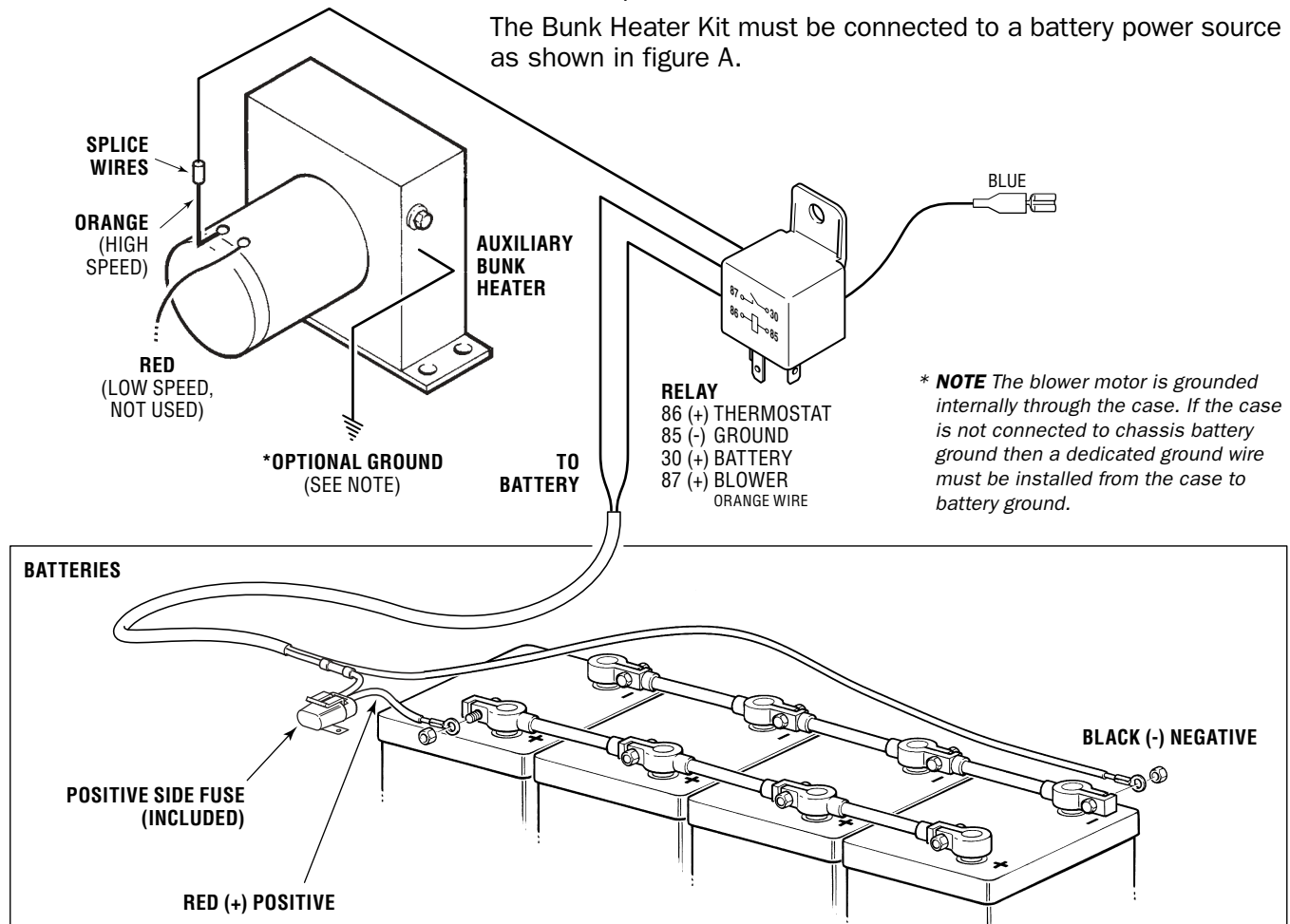


Figure A.

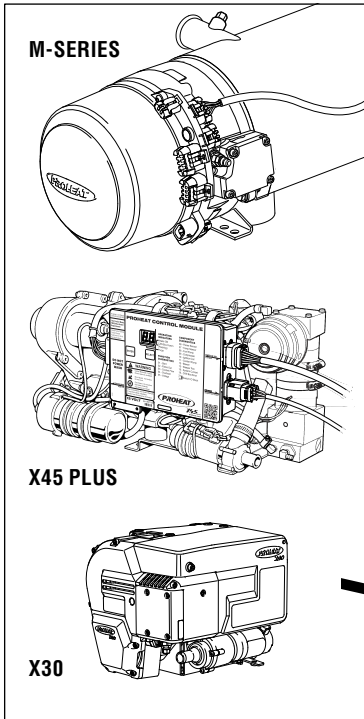


# INSTALLATION INSTRUCTIONS

Copy Part# 900366, Rev. B  
Date: 10/2018



Page 2 of 2



The Bunk Heater can be connected to either the Analog Thermostat as shown in figure B or the CAN Bus Thermostat as shown in figure C. See the appropriate thermostat manual for installation and operation of the thermostat.

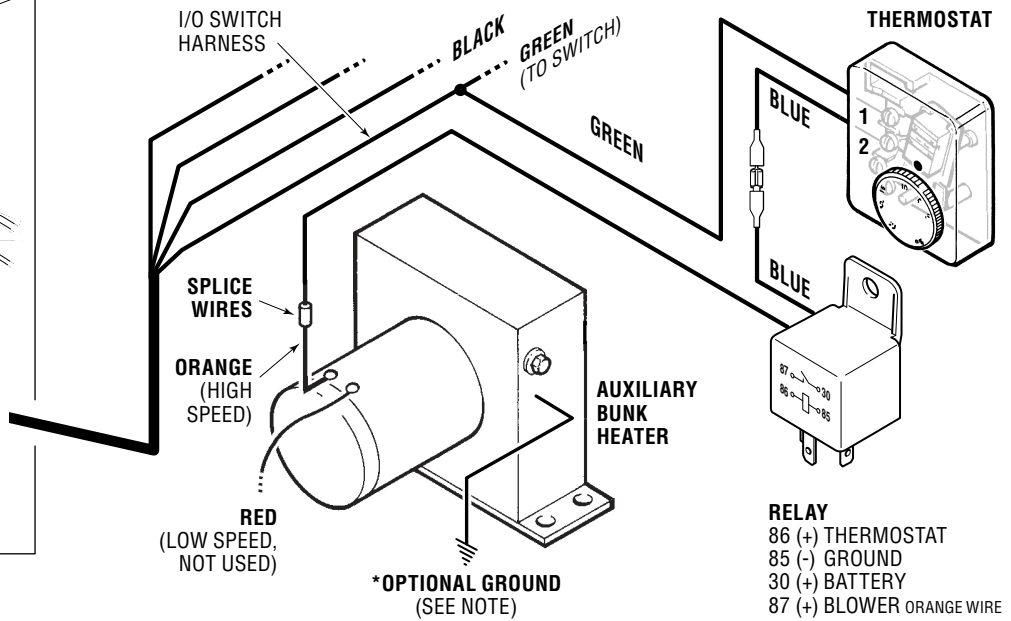


Figure B. Universal analog connection.

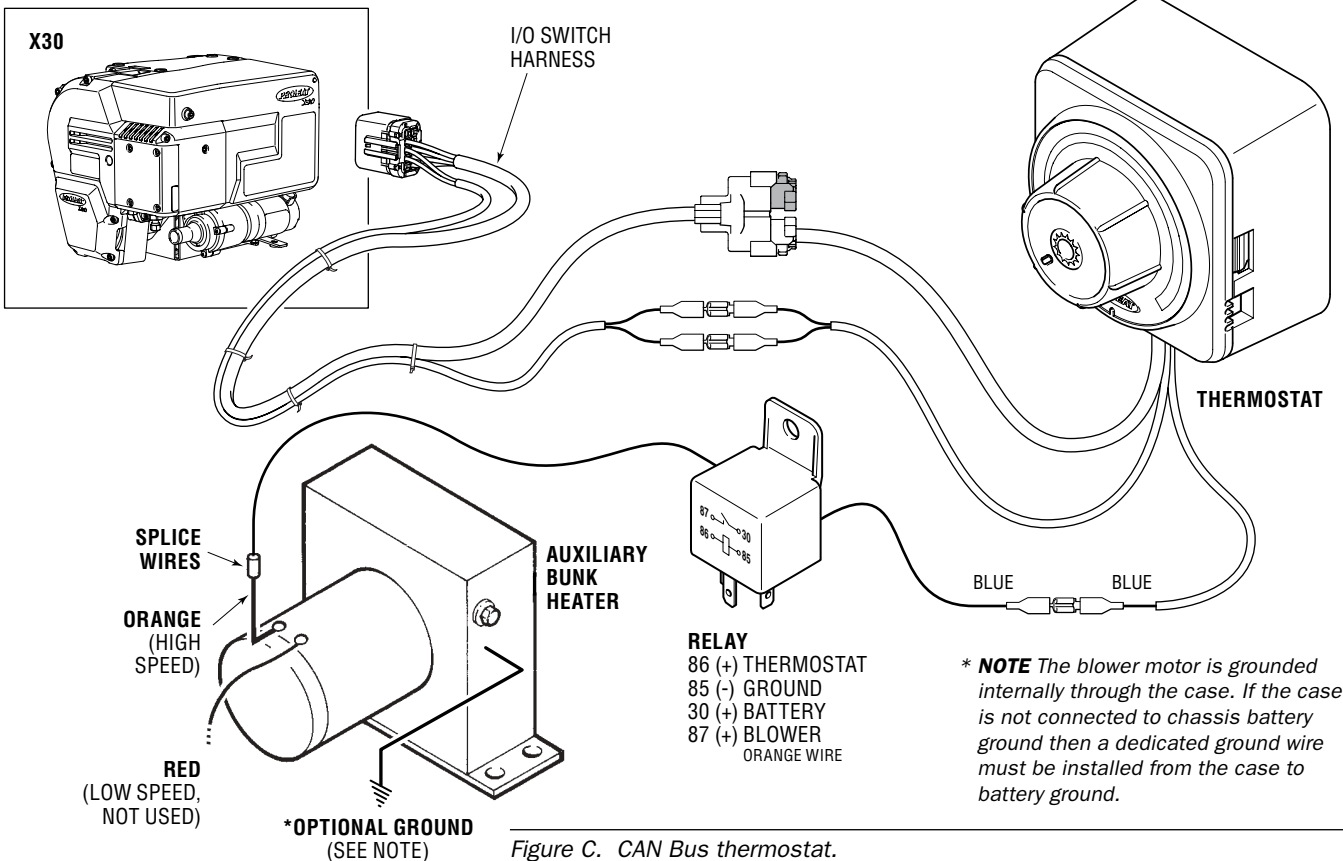


Figure C. CAN Bus thermostat.