



**PARTS CATALOG  
PROHEAT A2/A4**

**PROHEAT**



# Selection Guide

MODEL	A2 (12V/24V)	A4 (12V/24V)
<b>RATING</b>	2 kW (6,800 BTU)	4 kW (13,600 BTU)
<b>OPERATING VOLTAGE</b> Stand-By Ignition Maximum Heat	0.4 W 130 W 25 W	0.4 W 145 W 60 W
<b>FUEL CONSUMPTION</b>	0.03–0.06 US gal/hr (0.1–0.22 L/hr)	0.06–0.012 US gal/hr (0.21–0.46 L/hr)
<b>FUEL TYPE</b>	ULSD, Diesel # 1, Diesel # 2, Arctic, B5 Bio-diesel	
<b>OPERATING TEMPERATURE RANGE</b>	Ventilation mode: -40°F to 149°F (-40°C to 65°C) Heating Mode: -40°F to 104°F (-40°C to 40°C)	
<b>AIR FLOW</b>	41 CFM (70 m <sup>3</sup> /hr)	65 CFM (110 m <sup>3</sup> /hr)
<b>WEIGHT</b> (Maximum)	7.7 lb (3.5 kg)	11.2 lb (5.1 kg)
<b>DIMENSIONS</b> (L x W x H)	14 x 4.75 x 6.14 inches (355 x 120 x 156 mm)	16.4 x 6.1 x 7.4 inches (417 x 154 x 189 mm)
<b>WARRANTY</b>	Two years parts and labor	

*This selection guide is designed to help you choose the appropriate Proheat kit for your application.*

## Installation Kits

- PH0212 Air Heater Kit 2kW 12V**
- PH0224 Air Heater Kit 2kW 24V**
- PH0412 Air Heater Kit 4kW 12V**
- PH0424 Air Heater Kit 4kW 24V**

### Kits Contain:

### Quantity:

Air Heater A2 or A4 12 or 24 V	1
Heater to Battery Harness	2
Driver Control Panel (DCP)	1
DCP to Heater Harness	1
DCP to Ignition Harness	1
Fuses 15A or 7.5A	2
Fuel Pump 12 or 24 V	1
Fuel Pump to Heater Harness	1
Fuel Pump Bracket	1
Fuel Pickup Pipe	1
Fuel Lines Rubber	4
Fuel Lines Plastic	2
Fuel Line Clamps	8
Air Intake Silencer	1
Exhaust Pipe	1
Exhaust Pipe P Clamp	1
Installation Hardware Package	1
Hot Air Duct, 7.5"	1
Owner's Manual	1
Warranty Registration	1

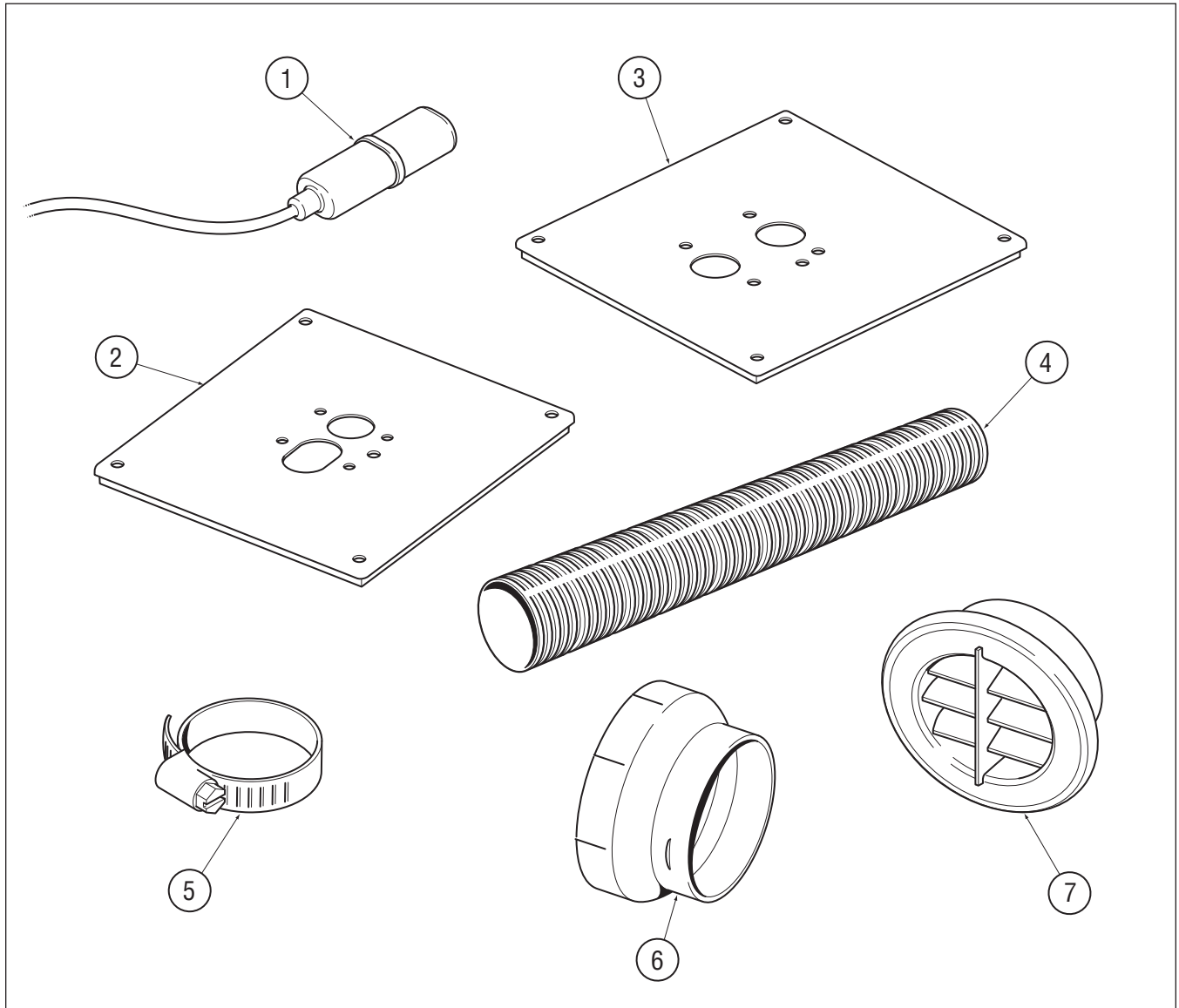


# TABLE OF CONTENTS

<b>SELECTION GUIDE</b> .....	i
<b>ACCESSORIES</b> .....	1
<b>A2 &amp; A4 COMMON COMPONENTS</b> .....	2
<b>MODEL A2</b>	
Enclosure and major Components .....	3
Electrical .....	4
Combustion/Exhaust/air .....	5
Fuel System .....	6
<b>MODEL A4</b>	
Enclosure and major Components .....	7
Electrical .....	8
Combustion/Exhaust/air .....	9
Fuel System .....	10
<b>SERVICE TOOLS AND PARTS</b> .....	11
<b>NUMERIC PARTS INDEX</b> .....	12



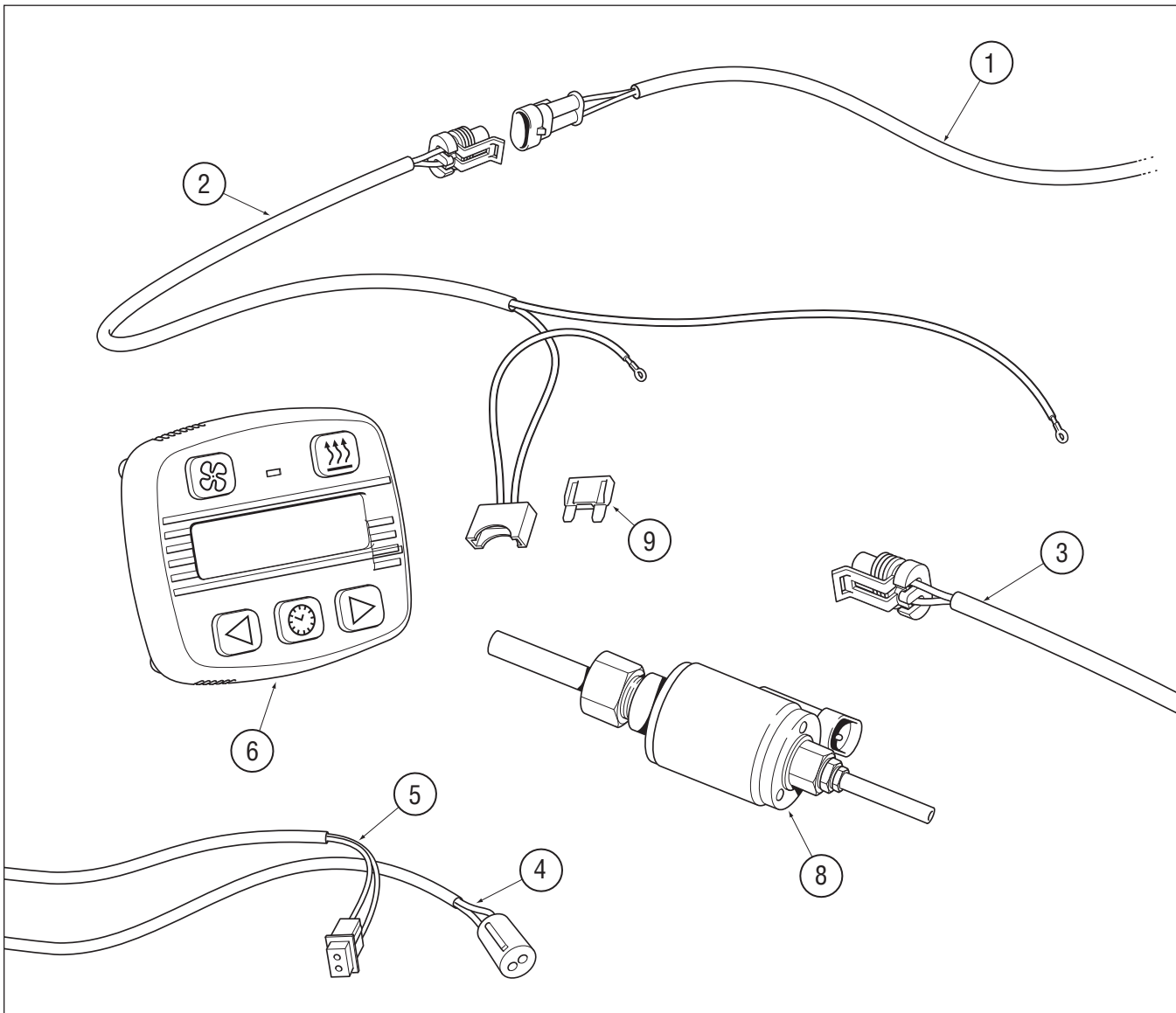
# ACCESSORIES



ITEM	PART#	QTY	DESCRIPTION
1	210239K	1	External Temperature Sensor
2	210283K	1	Mounting Plate with Gasket A2
3	210383K	1	Mounting Plate with Gasket A4
4	210402K	1	Hot Air Duct 3" (75mm) ID, 25 Foot Roll
	210403K	1	Hot Air Duct 3.5" (90mm) ID, 25 Foot Roll
5	210378K	10	3" (75mm) Hose Clamp
	210417K	10	3.5" (90mm) Hose Clamp
6	210380K	1	3.5" (90mm) to 3" (75mm) Reducer
7	210260K	1	3" (75mm) Hot Air Vent

ITEM	PART#	QTY	DESCRIPTION

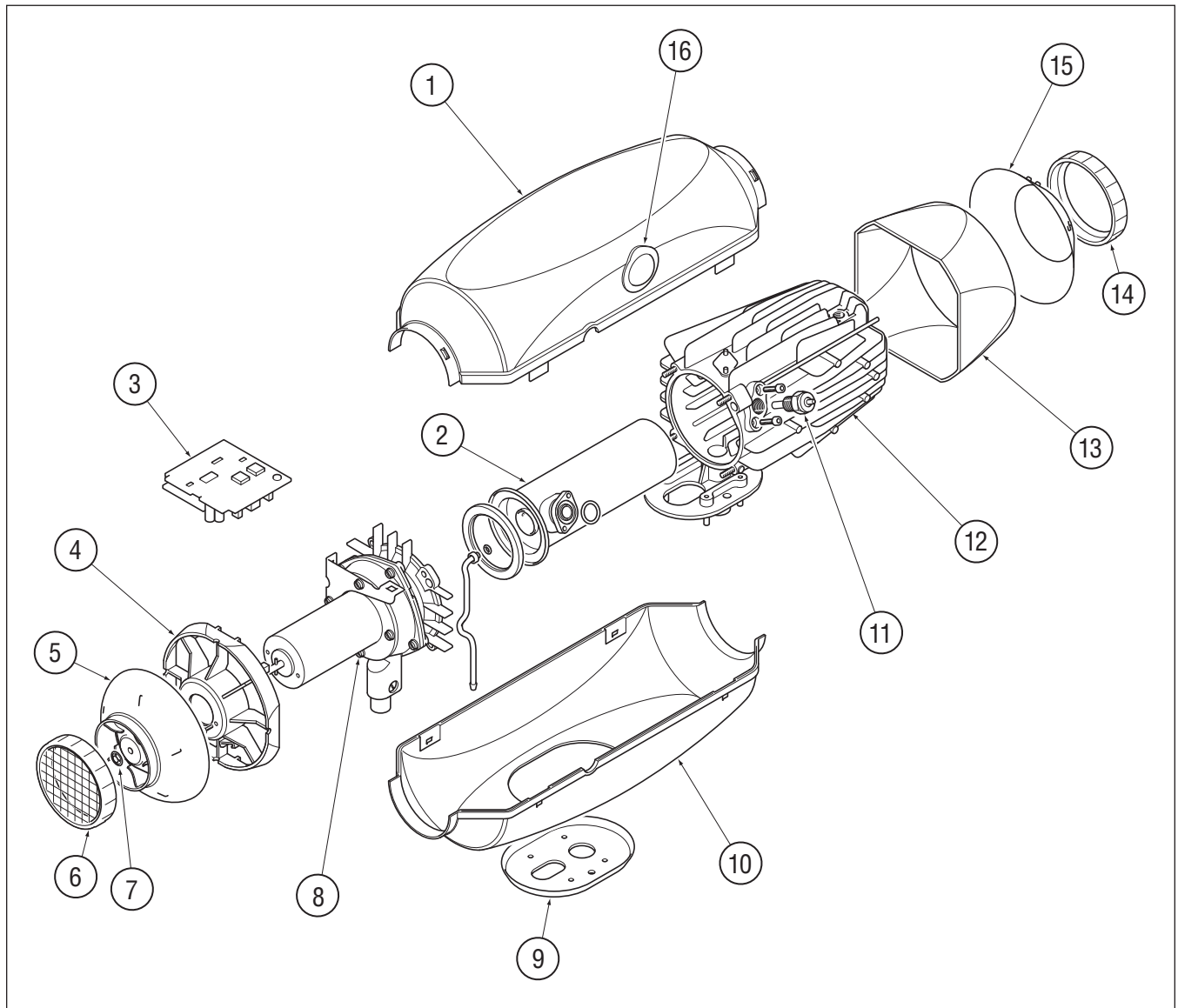
# A2 AND A4 COMMON COMPONENTS



ITEM	PART#	QTY	DESCRIPTION
1	210292K	1	Main Power Cable
2	210296K	1	Main Power Battery Cable with Fuse Holder
3	210293K	1	Fuel Pump Cable
4	210291K	1	Heater to DCP Cable
5	210294K	1	DCP to Ignition Cable
6	210211K	1	Driver Control Panel Automatic Digital Timer
7	210416K	1	Driver Control Panel Manual Thermostat ( <i>Not Shown</i> )

ITEM	PART#	QTY	DESCRIPTION
8	210261K	1	Fuel Pump 12V
	210264K	1	Fuel Pump 24V
9	210245K	1	7.5A Fuse (A2 24V DC Models)
	210247K	1	10A Fuse (A4 24V DC Models)
	210246K	1	15A Fuse (A2/A4 12V DC Models)

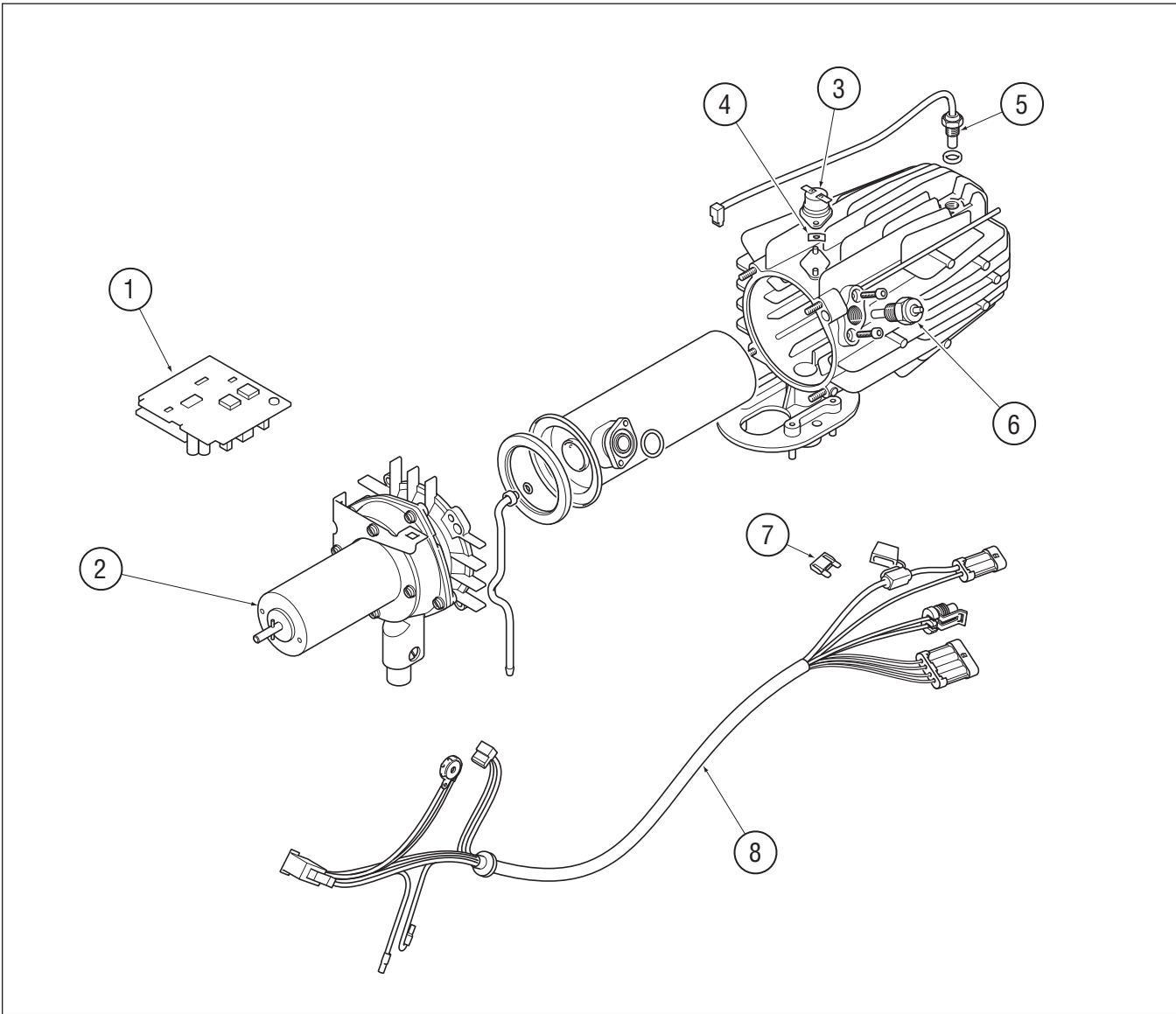
# MODEL A2—ENCLOSURE AND MAJOR COMPONENTS



ITEM	PART#	QTY	DESCRIPTION
1	210231K	1	Enclosure Top
2	210269K	1	Combustion Tube Assembly
3	210227K	1	PCM A2-24V
	210226K	1	PCM A2-12V
4	210415K	1	Fan Motor Bracket
5	210248K	1	Fan with Magnet
6	210281K	1	Enclosure Flange Air In
7	210235K	1	Fan Retainer
8	210268K	1	Motor/Impeller Assembly
9	210217K	1	Gasket, Heater Mount

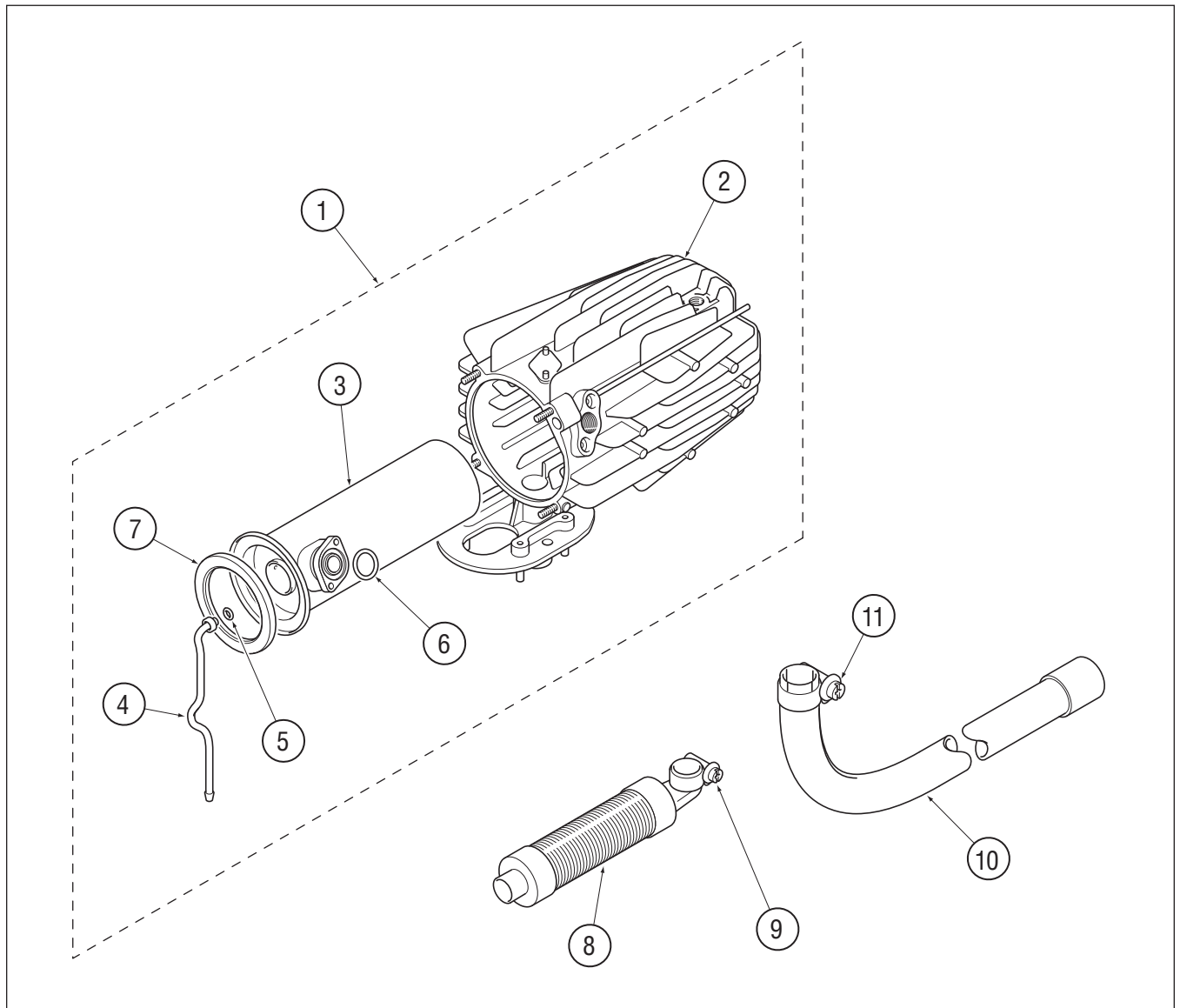
ITEM	PART#	QTY	DESCRIPTION
10	210232K	1	Enclosure Bottom
11	210221K	1	Glow Plug
12	210213K	1	Heat Exchanger Die Cast, A2
13	210249K	1	Insulation
14	210233K	1	Enclosure Flange Air Out
15	210251K	1	Shield, Heat Reflector
16	210216K	1	Cap, Glow Plug





ITEM	PART#	QTY	DESCRIPTION
1	210227K	1	PCM A2-24V
	210226K	1	PCM A2-12V
2	210268K	1	Motor/Impeller Assembly
3	210223K	1	Overheat Sensor
4	210271K	2	Securing Washer, Overheat Sensor
5	210222K	1	Flame Sensor
6	210221K	1	Glow Plug

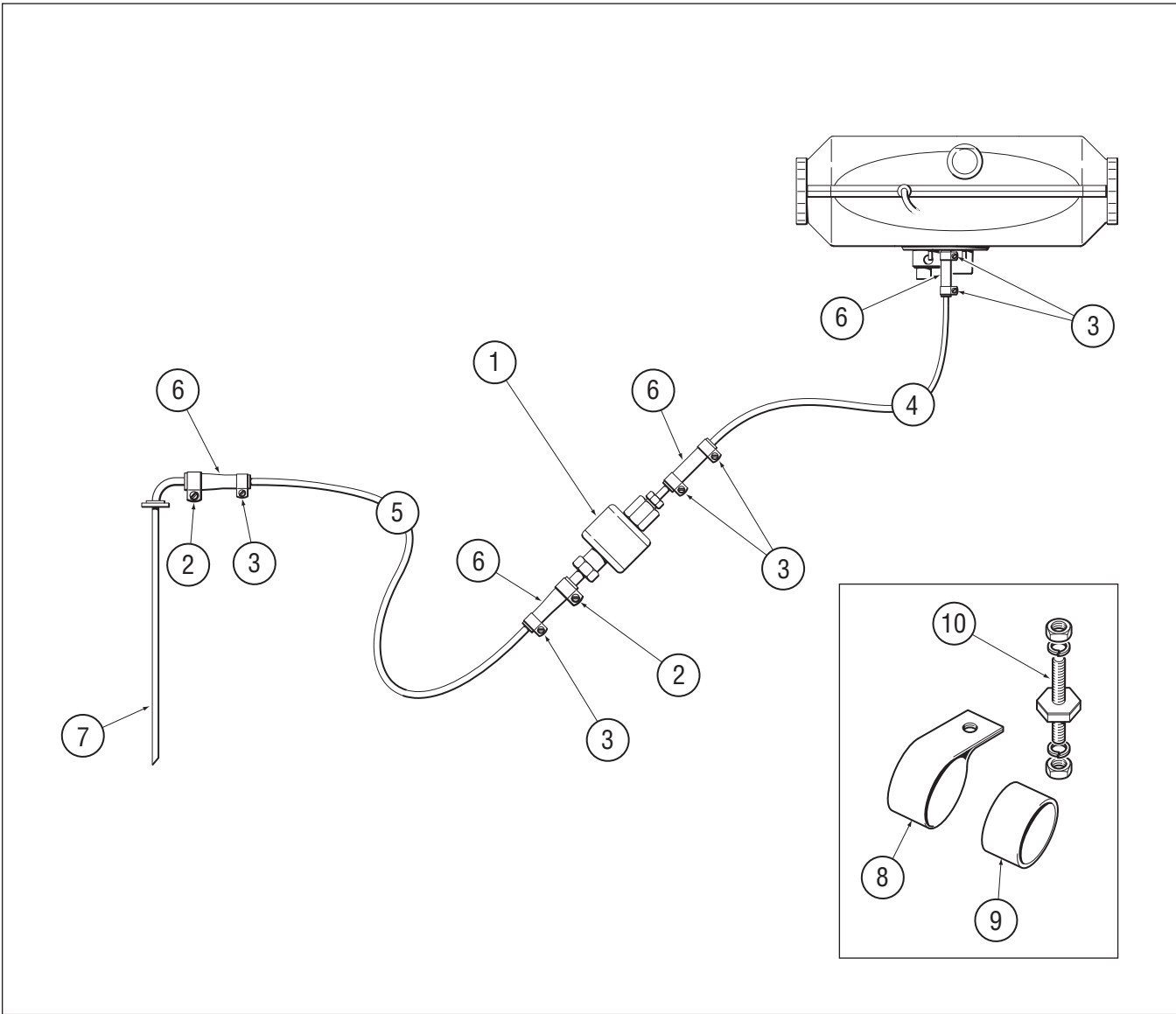
ITEM	PART#	QTY	DESCRIPTION
7	210245K	1	7.5A Fuse (A2 24V DC Models)
	210246K	1	15A Fuse (A2 12V DC Models)
8	210228K	1	Internal Harness



ITEM	PART#	QTY	DESCRIPTION
1	210212K	1	Burner Assembly, (includes: Item 2, 3, 4, 5)
2	210213K	1	Heat Exchanger Die Cast, A2
3	210269K	1	Combustion Tube
4	210238K	1	Fuel Pipe
5	210214K	1	O-Ring, Fuel Pipe
6	210215K	1	O-Ring, Combustion Tube
7	210218K	1	Gasket Insulator Combustion Tube
8	210255K	1	Air Intake Silencer
9	210277K	1	Clamp Intake Silencer SG11-19/5

ITEM	PART#	QTY	DESCRIPTION
10	210257K	1	Exhaust Pipe, Flex
11	210253K	1	Exhaust Clamp

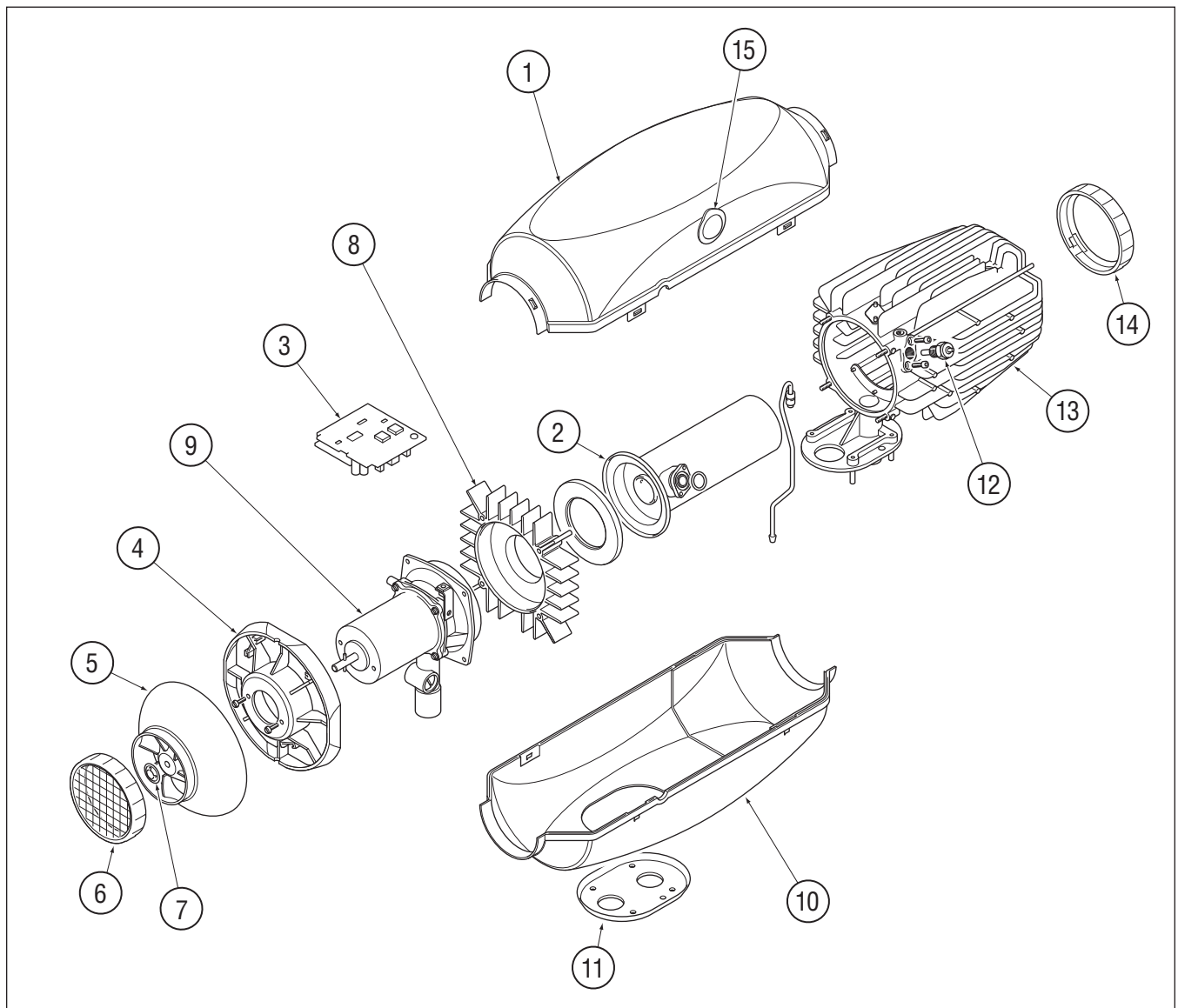
# MODEL A2—FUEL SYSTEM



ITEM	PART#	QTY	DESCRIPTION
1	210261K	1	Fuel Pump 12V
	210264K	1	Fuel Pump 24V
2	210342K	2	Hose Clamp SM9 11B-W1
3	210241K	6	Hose Clamp SM9 9B-W1
4	210244K	1	Fuel Line, Plastic 23 ft. (7m)
5	210243K	1	Fuel Line, Plastic 2.3 ft (0.7m)
6	210275K	4	Fuel Line, Rubber 4 mm ID x 1.5" (60 mm) long
7	210238K	1	Fuel Pick-Up 24" (60 cm)

ITEM	PART#	QTY	DESCRIPTION
8	210272K	1	Clamp, Fuel Pump
9	210273K	1	Insert, Fuel Pump Clamp
10	210418K	1	Isolator, Fuel Pump Clamp

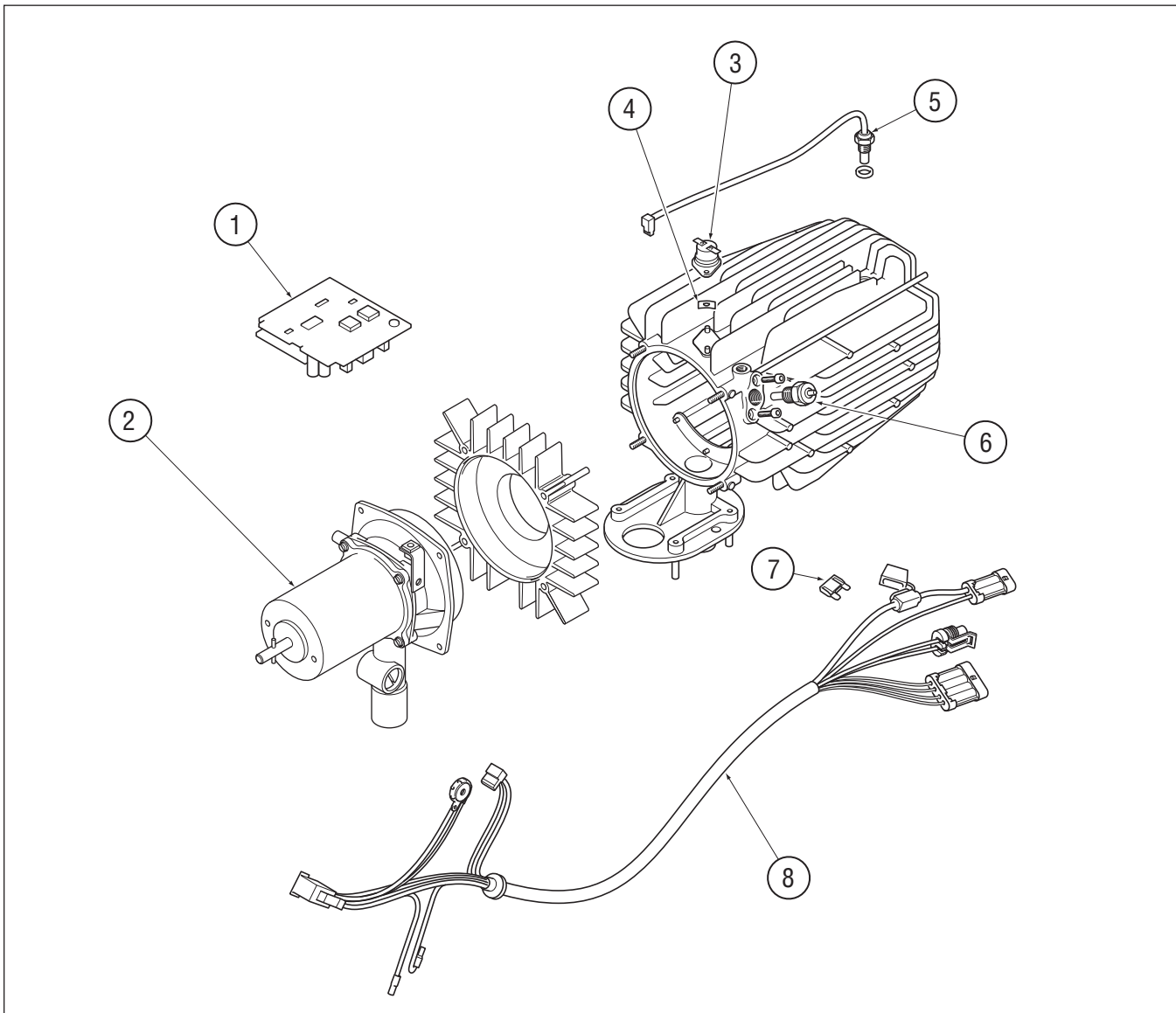
# MODEL A4—ENCLOSURE AND MAJOR COMPONENTS



ITEM	PART#	QTY	DESCRIPTION
1	210331K	1	Enclosure Top
2	210369K	1	Combustion Tube Assembly
3	210327K	1	PCM A4-24V
	210326K	1	PCM A4-12V
4	210419K	1	Fan Motor Bracket
5	210348K	1	Fan with Magnet
6	210381K	1	Enclosure Flange Air In
7	210335K	1	Fan Retainer
8	210324K	1	Flange, Motor Mount
9	210368K	1	Motor/Impeller Assembly
10	210332K	1	Enclosure Bottom
11	210317K	1	Gasket, Heater Mount

ITEM	PART#	QTY	DESCRIPTION
12	210221K	1	Glow Plug
13	210313K	1	Heat Exchanger Die Cast, A4
14	210333K	1	Enclosure Flange Air Out
15	210216K	1	Cap, Glow Plug

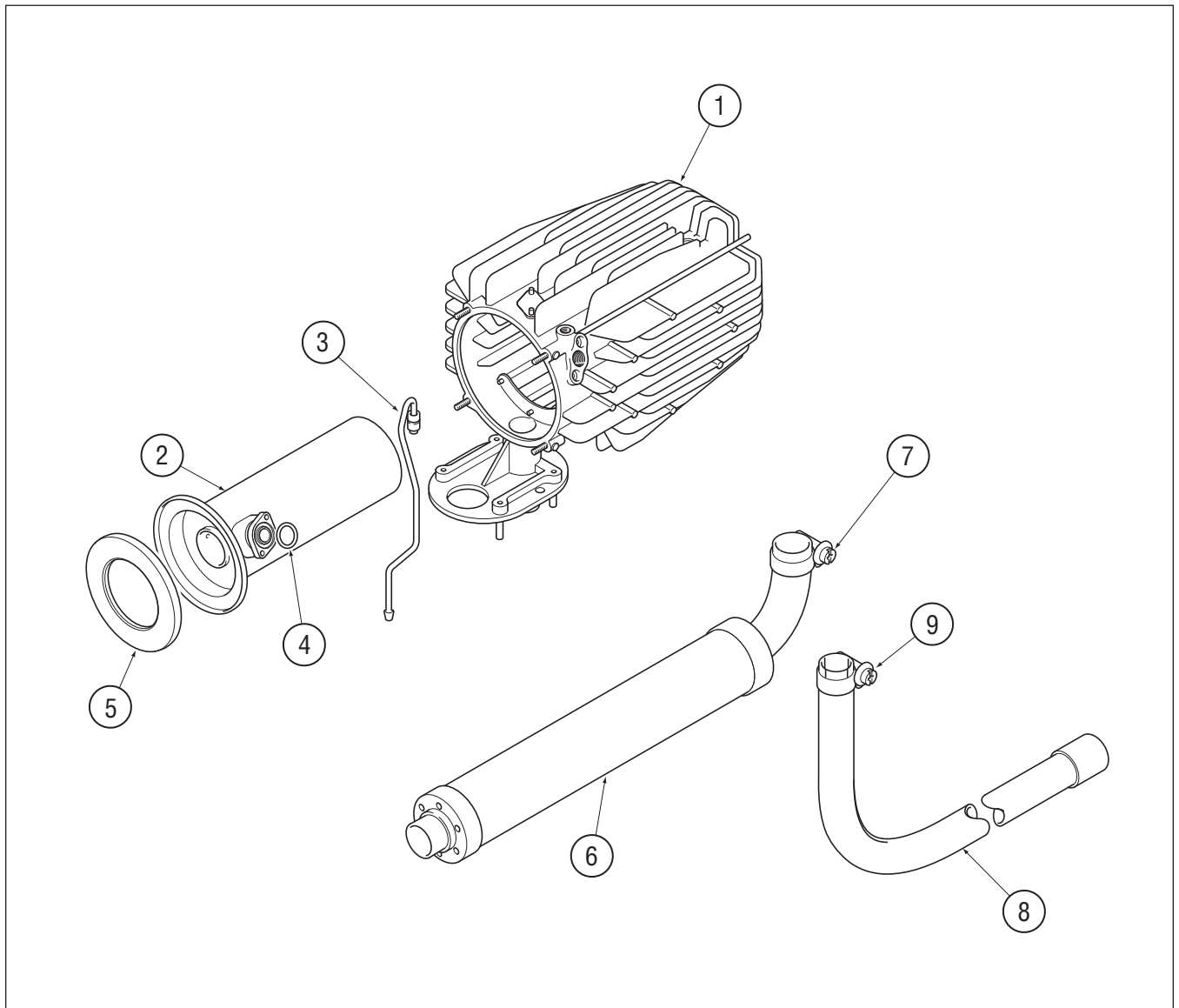
**MODEL A4—ELECTRICAL**



ITEM	PART#	QTY	DESCRIPTION
1	210327K	1	PCM A4-24V
	210326K	1	PCM A4-12V
2	210368K	1	Motor/Impeller Assembly
3	210223K	1	Overheat Sensor
4	210271K	2	Securing Washer, Overheat Sensor
5	210222K	1	Flame Sensor
6	210221K	1	Glow Plug

ITEM	PART#	QTY	DESCRIPTION
7	210246K	1	15A Fuse (A4 12V DC Models)
	210247K	1	10A Fuse (A4 24V DC Models)
8	210228K	1	Internal Harness

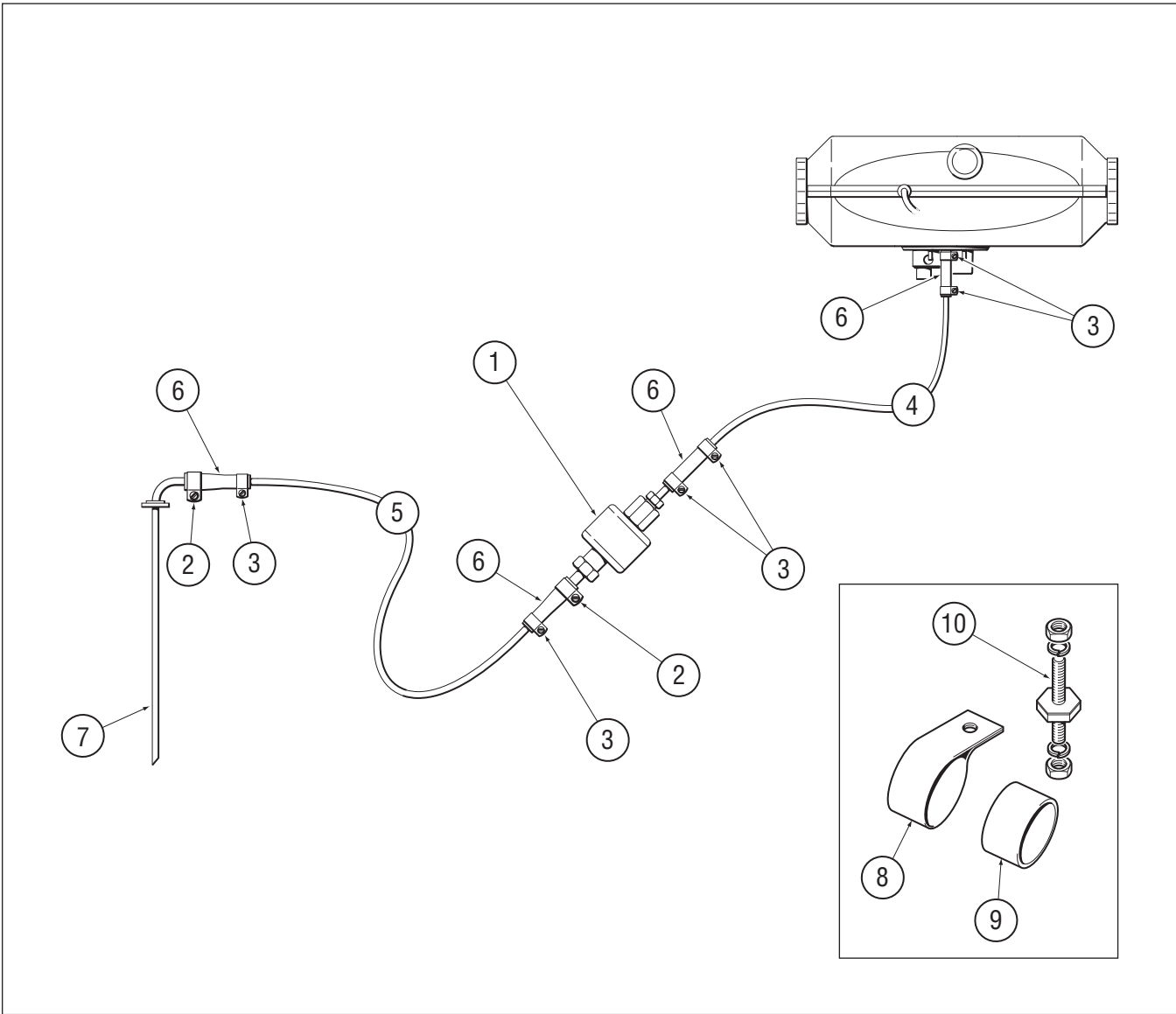
**MODEL A4—COMBUSTION/EXHAUST/AIR**



ITEM	PART#	QTY	DESCRIPTION
1	210313K	1	Heat Exchanger Die Cast, A4
2	210369K	1	Combustion Tube
3	210366K	1	Fuel Pipe
4	210215K	1	O-Ring, Combustion Tube
5	210318K	1	Gasket Insulator Combustion Tube
6	210355K	1	Air Intake Silencer
7	210277K	1	Clamp Air Intake Silencer

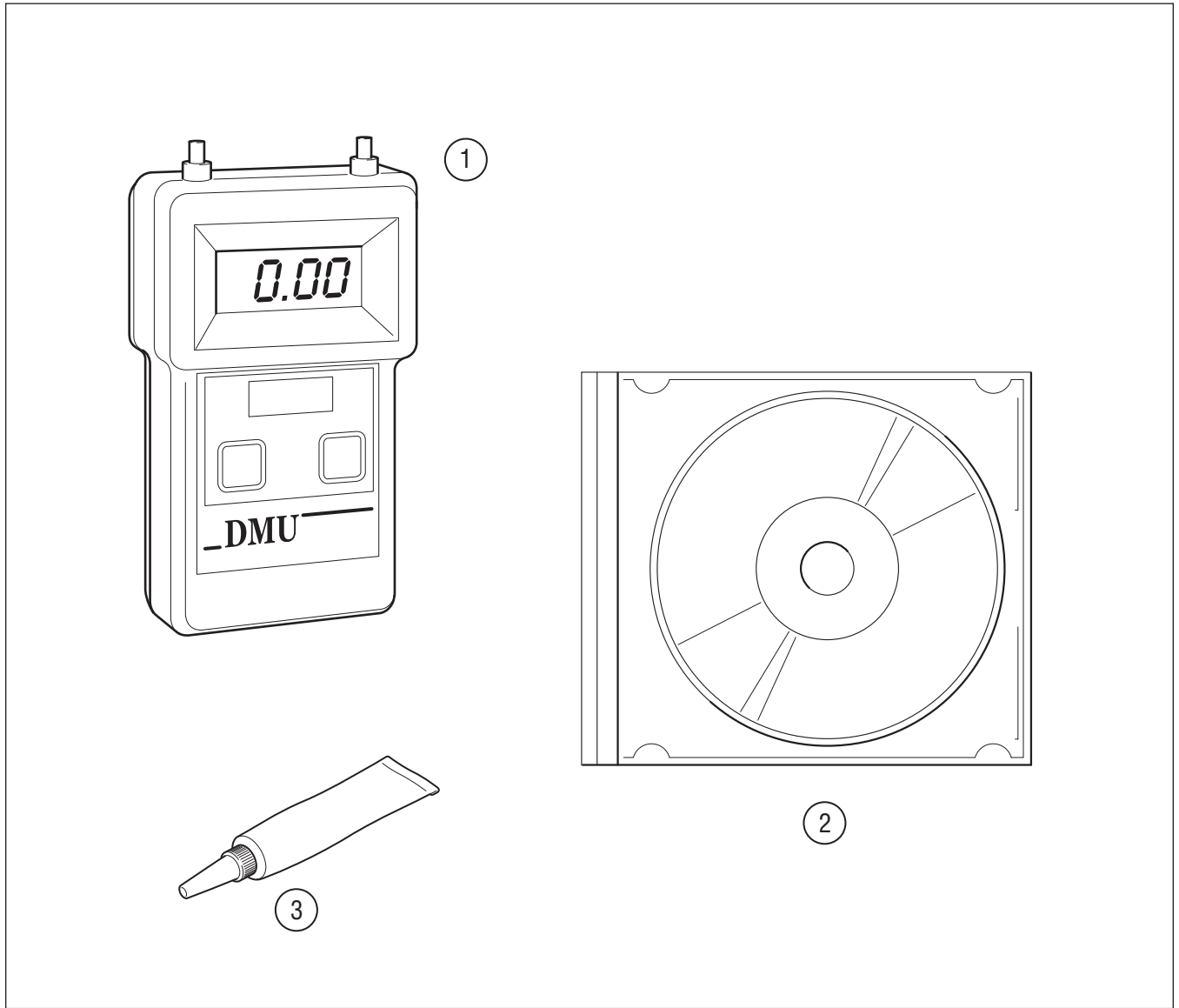
ITEM	PART#	QTY	DESCRIPTION
8	210357K	1	Exhaust Pipe Flex
9	210353K	1	Exhaust Pipe Clamp

# MODEL A4—FUEL SYSTEM



ITEM	PART#	QTY	DESCRIPTION
1	210261K	1	Fuel Pump 12V
	210264K	1	Fuel Pump 24V
2	210342K	2	Hose Clamp SM9 11B-W1
3	210241K	6	Hose Clamp SM9 9B-W1
4	210244K	1	Fuel Line, Plastic 23 ft. (7m)
5	210243K	1	Fuel Line, Plastic 2.3 ft (0.7m)
6	210275K	4	Fuel Line, Rubber 4 mm ID x 1.5" (60 mm) long
7	210238K	1	Fuel Pick-Up 24" (60 cm)

ITEM	PART#	QTY	DESCRIPTION
8	210272K	1	Clamp, Fuel Pump
9	210273K	1	Insert, Fuel Pump Clamp
10	210418K	1	Isolator, Fuel Pump Clamp



ITEM	PART#	QTY	DESCRIPTION
1	210412K	1	Heater Blower Delivery Tester
2	210410K	1	Diagnostic Software with USB Interface
3	210202K	1	Heat Exchanger Sealant
4	210414K	1	Fan Removal Tool A2 <i>(Not Shown)</i>
5	210413K	1	Fan Removal Tool A4 <i>(Not Shown)</i>

ITEM	PART#	QTY	DESCRIPTION





# NUMERIC PARTS INDEX

PART#	MODEL	DESCRIPTION	PAGE#	PART#	MODEL	DESCRIPTION	PAGE#
PH0212	A2	Air Heater 12V	i	210260K	A2/A4	Vent with Collar, 3"	1
PH0224	A2	Air Heater 24V	i	210261K	A2/A4	Fuel Pump, 12V	2, 6, 10
PH0412	A4	Air Heater 12V	i	210264K	A2/A4	Fuel Pump, 24V	2, 6, 10
PH0424	A4	Air Heater 24V	i	210268K	A2	Motor/Impeller Assembly	3, 4
210202K	A2/A4	Sealant, Heat Exchanger	11	210269K	A2	Combustion Tube Assembly	3, 5
210211K	A2/A4	Timer/Controller	2	210271K	A2/A4	Overheat Fuse Securing Washer	4, 8
210212K	A2	Burner Assembly, includes heat exchanger, combustion tube, gasket and fuel pipe	5	210272K	A2/A4	Clamp, Fuel Pump	6, 10
210213K	A2	Heat Exchanger Diecast	3, 5	210273K	A2/A4	Insert, Fuel Pump Clamp	6, 10
210214K	A2	O-Ring, Fuel Pipe	5	210275K	A2/A4	Fuel Line, Rubber, 1.5" (10mm)	6, 10
210215K	A2	O-Ring, Combustion Tube	5, 9	210277K	A2/A4	Clamp, Hose SGL 11-19/5	5, 9
210216K	A2/A4	Cap, Glow Plug	3, 7	210281K	A2	Enclosure Flange, Air In	3
210217K	A2	Gasket, Heater Mount	3	210283K	A2	Mounting Plate	1
210218K	A2	Gasket, Insulation CMB Tube	5	210291K	A2/A4	Wire Harness, Heater to DCP	2
210221K	A2/A4	Glow Plug	3, 4, 7, 8	210292K	A2/A4	Wire Harness, Heater to Battery	2
210222K	A2/A4	Flame Sensor	4, 8	210293K	A2/A4	Wire Harness, Heater to Fuel Pump	2
210223K	A2/A4	Overheat Sensor	4, 8	210294K	A2/A4	Wire Harness, DCP to Ignition	2
210226K	A2	PCM A2-12V	3, 4	210296K	A2/A4	Wire Harness, Battery Connection	2
210227K	A2	PCM A2-24V	3, 4	210313K	A4	Heat Exchanger Diecast	7, 9
210228K	A2/A4	Wire Harness, Heater Internal	4, 8	210317K	A4	Gasket, Heater Mount	7
210231K	A2	Enclosure, Top	3	210318K	A4	Gasket, Combustion Tube	9
210232K	A2	Enclosure, Bottom	3	210324K	A2/A4	Flange, Motor Mount	7
210233K	A2	Enclosure Flange, Air Out	3	210326K	A4	PCM A4-12V	7, 8
210235K	A2	Fan Retainer	3	210327K	A4	PCM A4-24V	7, 8
210238K	A2/A4	Fuel Pipe	5, 6, 9, 10	210331K	A4	Enclosure, Top	7
210239K	A2/A4	External Temperature Sensor	1	210332K	A4	Enclosure, Bottom	7
210241K	A2/A4	Clamp, Hose SM9 9B-W1	6, 10	210333K	A4	Air Exhaust Flange	7
210243K	A2/A4	Fuel Line, Plastic 2.3ft (0.7m)	6, 10	210335K	A4	Fan Retainer	7
210244K	A2/A4	Fuel Line, Plastic 23ft (7m)	6, 10	210342K	A2/A4	Clamp, Hose SM9 11B-W1	6, 10
210245K	A2	7.5A Fuse (24V DC Models)	2, 4	210348K	A4	Fan with Magnet	7
210246K	A2/A4	15A Fuse (12V DC Models)	2, 4, 8	210353K	A4	Exhaust Clamp	9
210247K	A4	10A Fuse (24V DC Models)	2, 8	210355K	A4	Air Intake Silencer	9
210248K	A2	Fan with Magnet	3	210357K	A4	Exhaust Pipe Flex	9
210249K	A2	Insulation, Heat Exchanger	3	210366K	A4	Fuel Pipe	9
210251K	A2	Shield, Heat Reflector	3	210368K	A4	Motor/Impeller Assembly	7, 8
210253K	A2	Exhaust Clamp	5	210369K	A4	Combustion Tube	7, 9
210255K	A2	Air Intake Silencer	5	210378K	A2/A4	3" Hose Clamp Kit, 10/Pkg	1
210257K	A2	Exhaust Pipe Flex	5	210380K	A2/A4	3.5" to 3" Reducer	1
				210381K	A4	Air Intake Flange	7

# NUMERIC PARTS INDEX

PART#	MODEL	DESCRIPTION	PAGE#
210383K	A4	Mounting Plate. . . . .	1
210402K	A2/A4	Hot Air Duct, 3" 25 ft Roll. . . . .	1
210403K	A2/A4	Hot Air Duct, 3.5" 25 ft Roll . . . . .	1
210410K	A2/A4	Diagnostic Software with USB Interface . . .	11
210412K	A2/A4	Air Meter Kit. . . . .	11
210413K	A4	Fan Removal Tool . . . . .	11
210414K	A2	Fan Removal Tool . . . . .	11
210415K	A2	Fan Motor Bracket . . . . .	3
210416K	A2/A4	Manual Control . . . . .	2
210418K	A2/A4	Isolator, Fuel Pump Clamp. . . . .	6, 10
210419K	A4	Bracket, Fan Motor. . . . .	7

# Teleflex®

POWER SYSTEMS

**Teleflex Canada Limited Partnership**

3831 No.6 Road  
Richmond, B.C.  
Canada V6V 1P6

Tel: 604-270-6899  
Fax: 604-270-0137

**[www.teleflexpower.com](http://www.teleflexpower.com)**

ISO 9001:2000



Teleflex and Proheat are registered trademarks of  
Teleflex Inc. and its subsidiary companies.

Printed in Canada 12-07

PID# 925819B