

## M SERIES

# FUEL REGULATOR INLET SCREEN

### Introducing

M-Series Fuel Regulator Inlet Screen.

### Part Numbers

The following table defines the old and new part numbers.

Description	Obsolete PID	New PID
Regulator Kit	200703K	Obsolete
Regulator with Screen Kit	N/A	200704K
Regulator Inlet Screen	N/A	200317K
Regulator Bolt kit	850122K	200314K

### Features & Benefits

- Prevents debris from entering fuel regulator and nozzle.
- Extends fuel regulator and nozzle service life.
- Screen is fully serviceable.
- Backwards compatible with all M-Series heater models.  
Requires longer bolts (included in kit).

### Identification

The figure below shows the fuel regulator screen and its location on the heater.

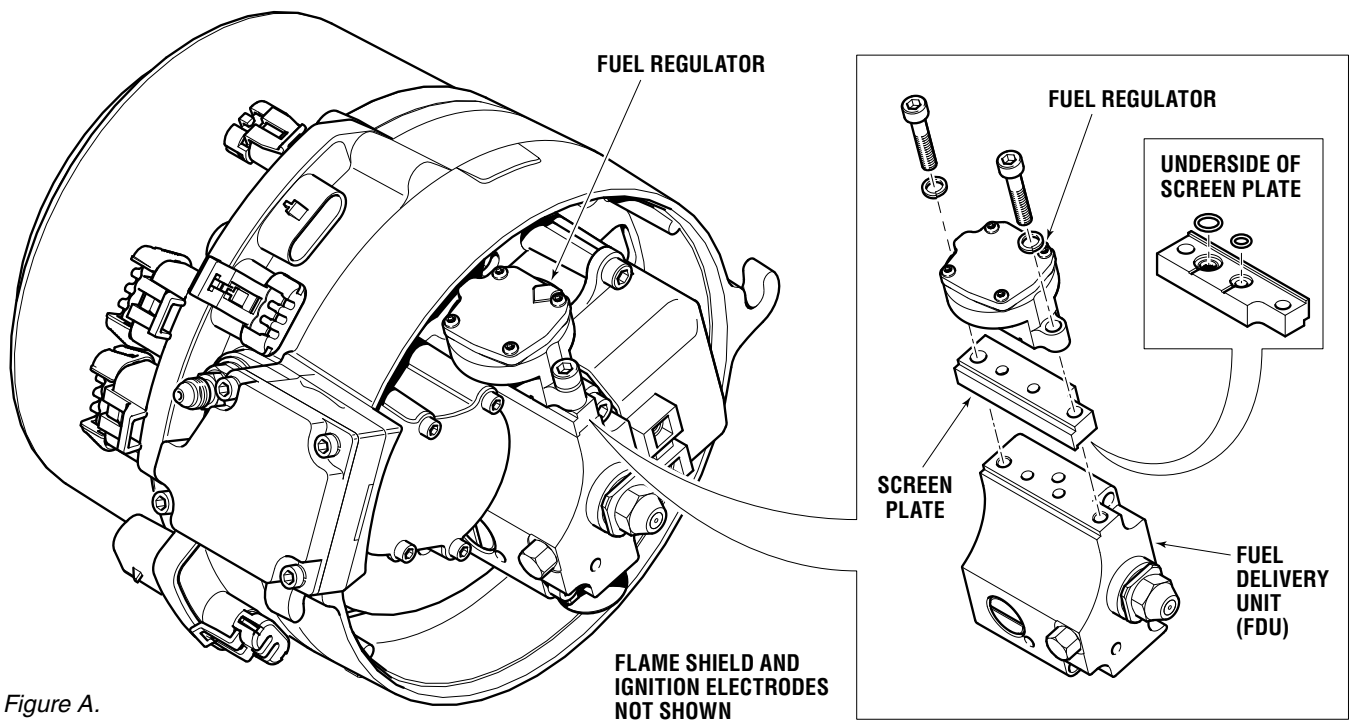


Figure A.