



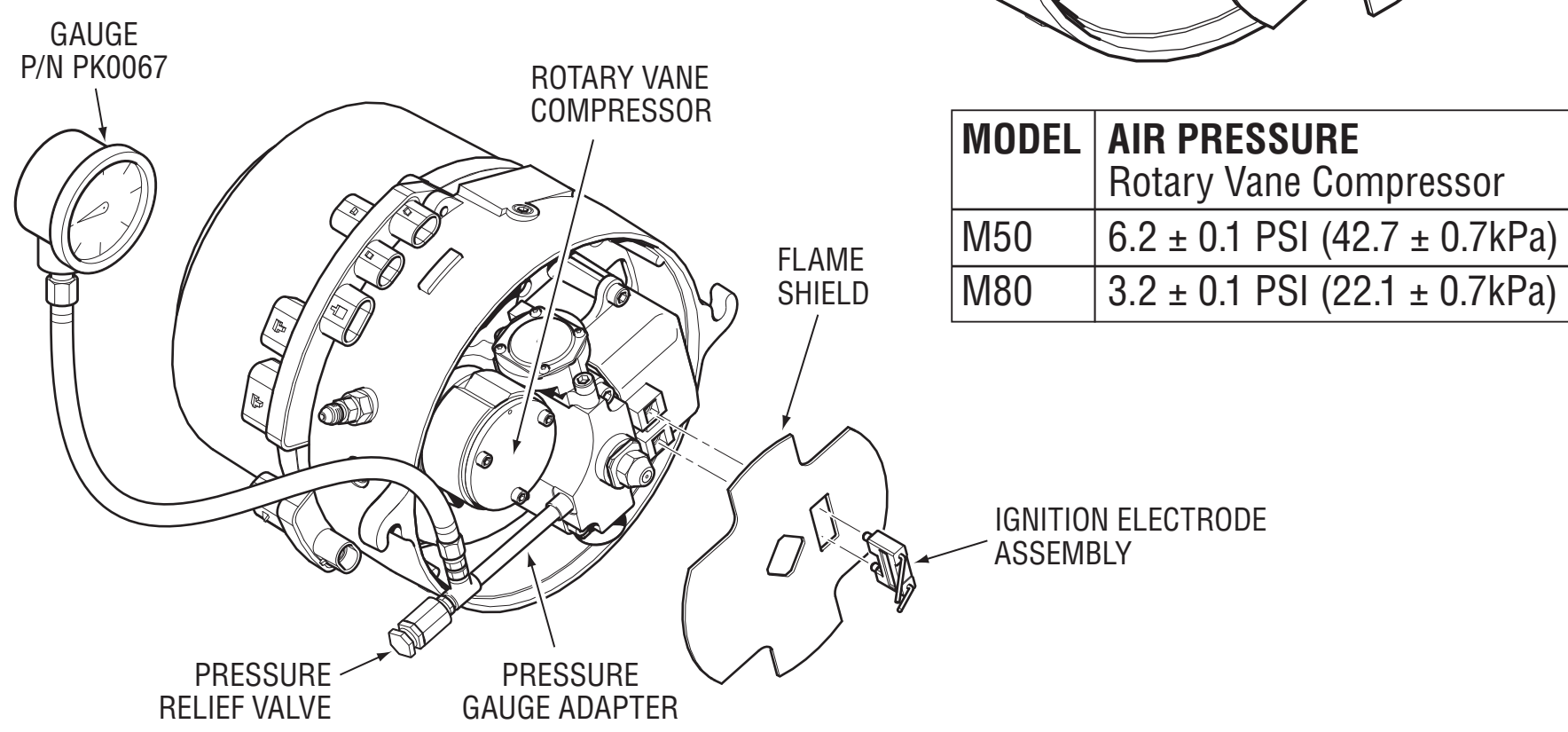
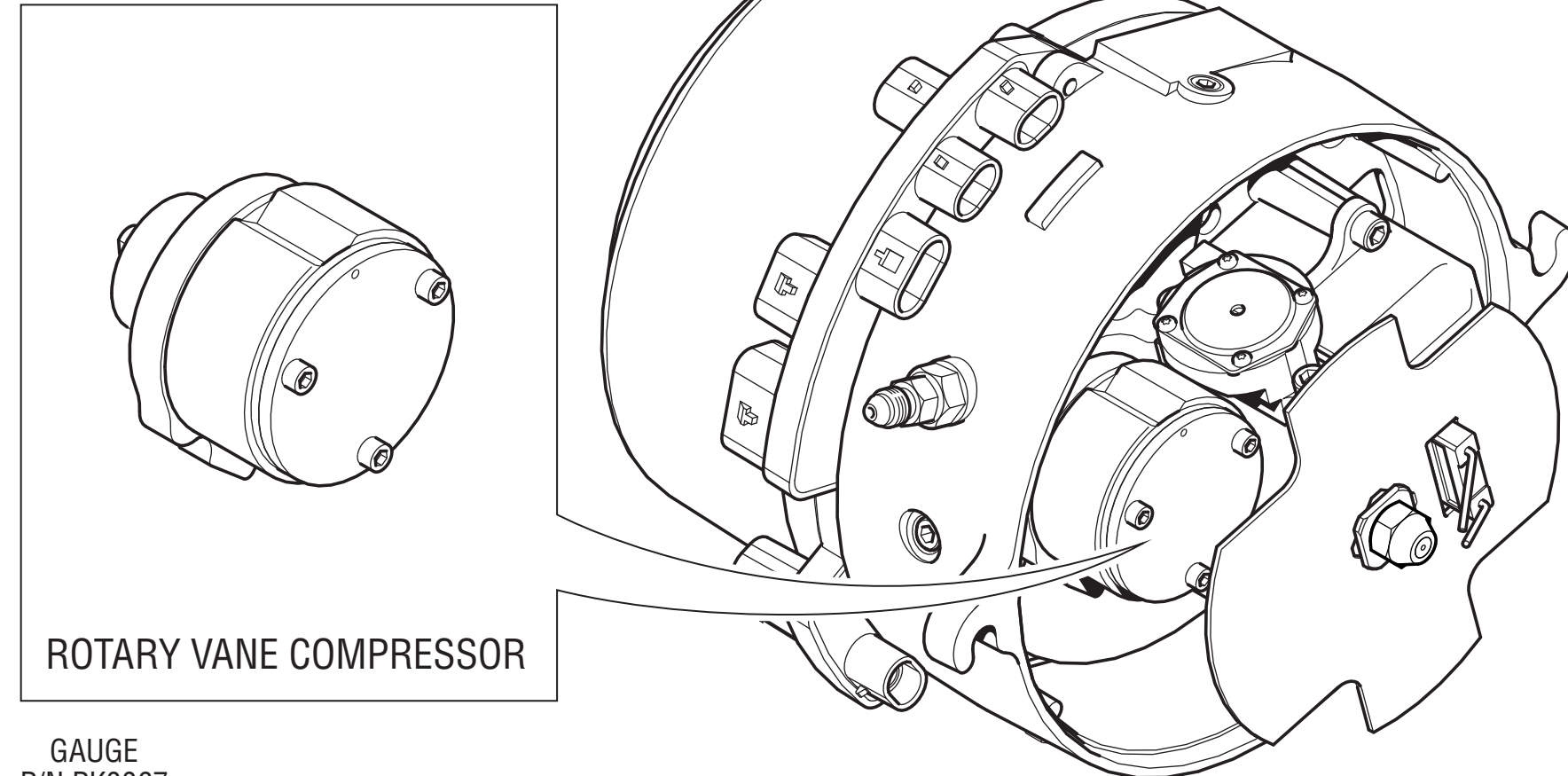
M-SERIES

QUICK REFERENCE CHART

Air Compressor

ROTARY VANE COMPRESSOR — DISCONTINUED

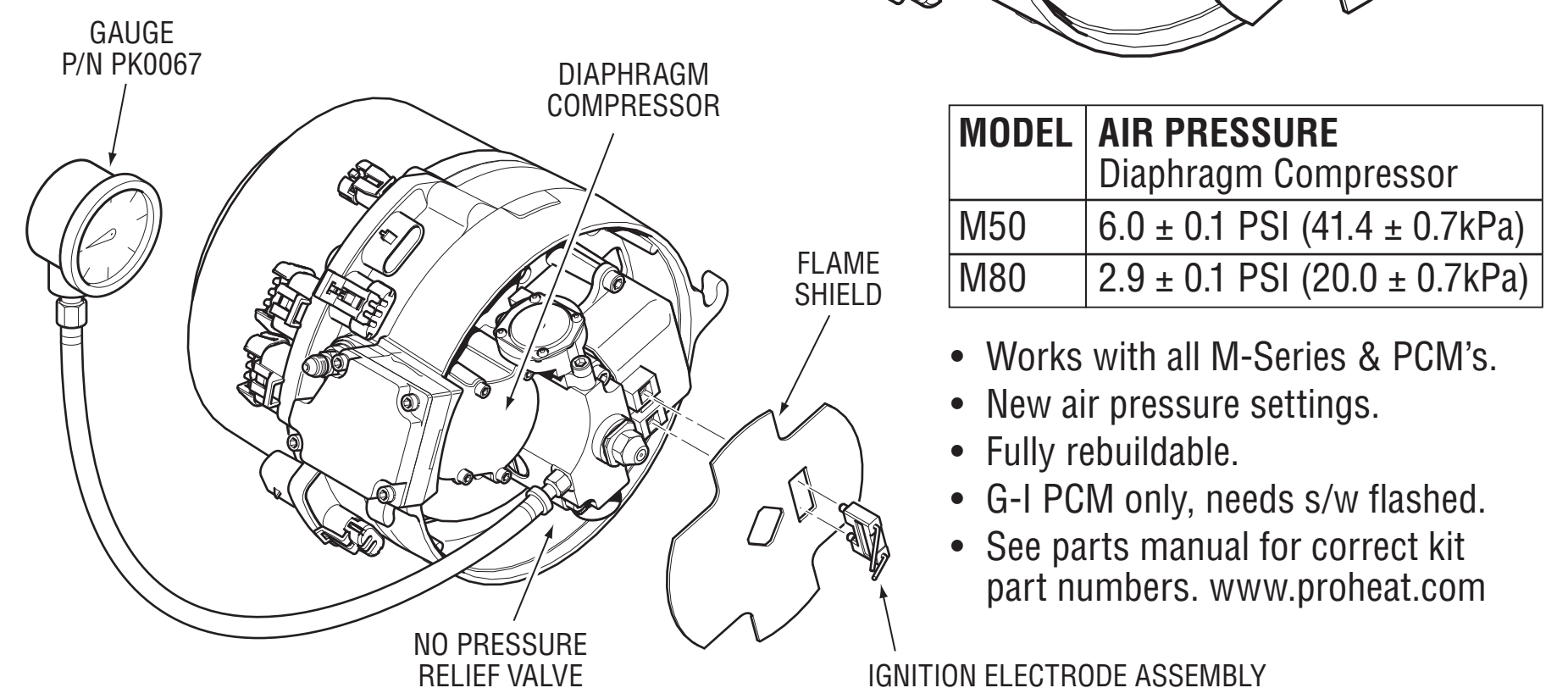
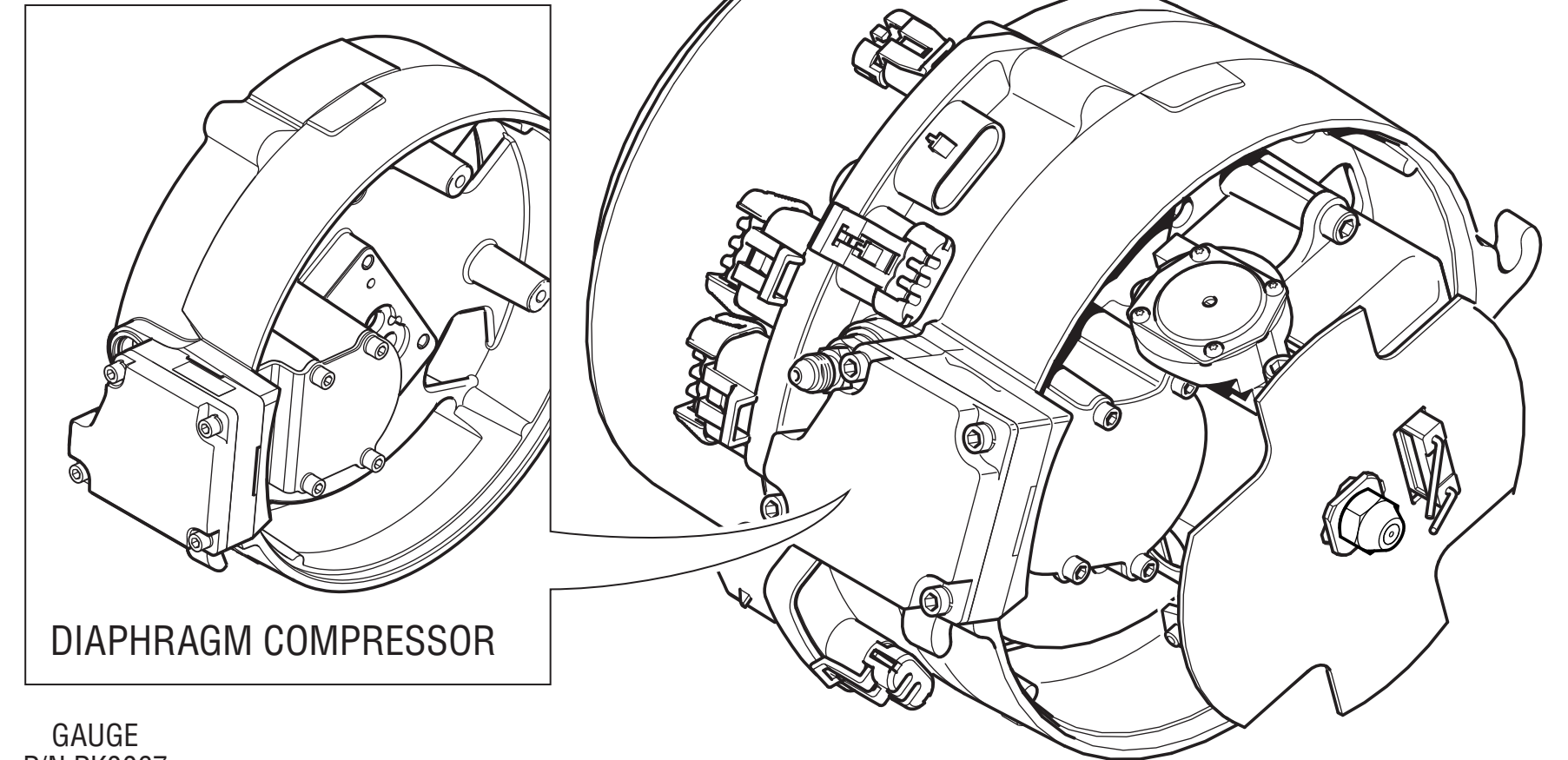
SERIAL NUMBERS:
500000 – 699999



MODEL	AIR PRESSURE
Rotary Vane Compressor	
M50	6.2 ± 0.1 PSI (42.7 ± 0.7kPa)
M80	3.2 ± 0.1 PSI (22.1 ± 0.7kPa)

DIAPHRAGM COMPRESSOR — CURRENT

SERIAL NUMBERS:
700000 – TO DATE

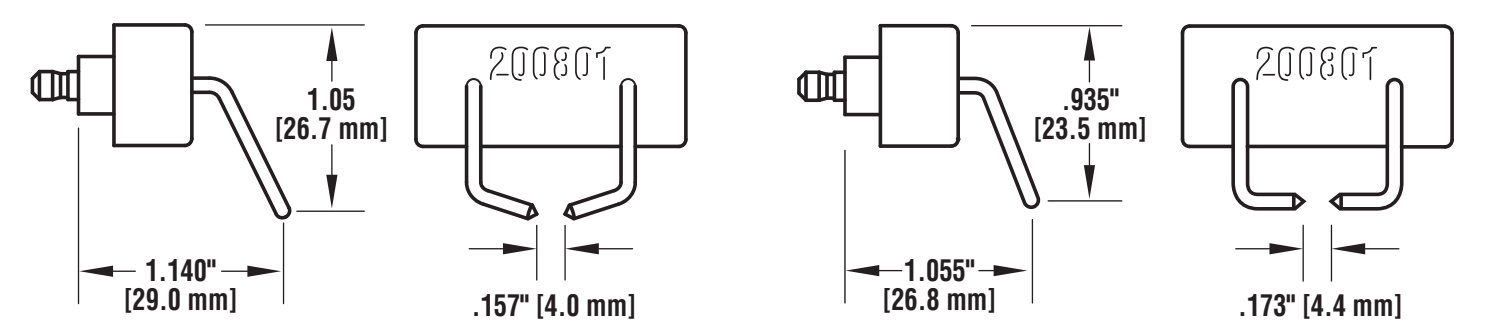


MODEL	AIR PRESSURE
Diaphragm Compressor	
M50	6.0 ± 0.1 PSI (41.4 ± 0.7kPa)
M80	2.9 ± 0.1 PSI (20.0 ± 0.7kPa)

- Works with all M-Series & PCM's.
- New air pressure settings.
- Fully rebuildable.
- G-I PCM only, needs s/w flashed.
- See parts manual for correct kit part numbers. www.proheat.com

Ignition Electrode Changes

DISCONTINUED See PB0039 for more information. www.proheat.com



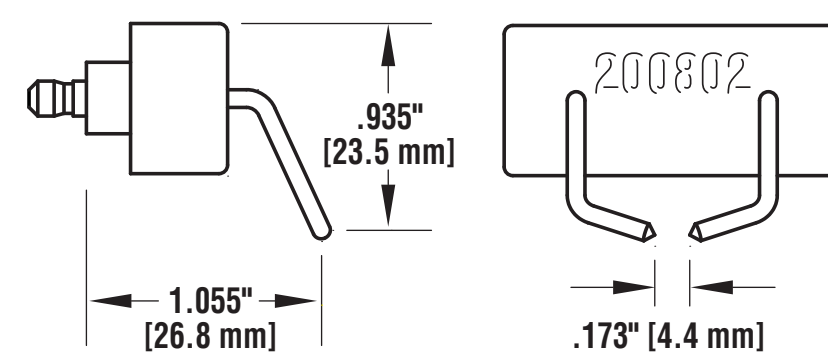
200801K ELECTRODE

- Works with Vane Compressor M-Series Models ONLY.

200801-1K ELECTRODE

- Works with ALL M-Series Models.

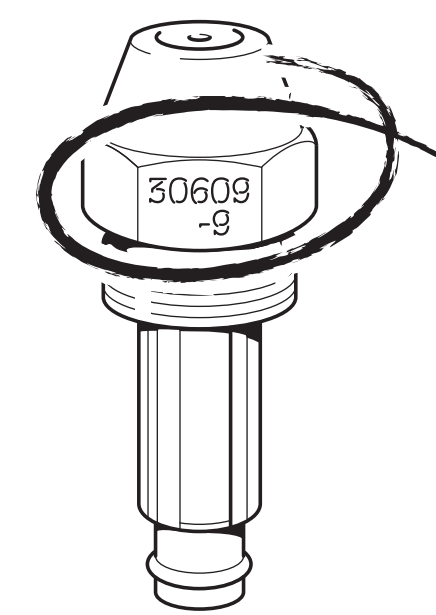
CURRENT See PB0039 for more information. www.proheat.com



200802K ELECTRODE

- Works with ALL M-Series Models.

Nozzle ID Reference



Always confirm you are using the correct nozzle.

MODEL	PART NUMBER
M50	30609-50
M80	30609-9

M80 Nozzle Shown.

G-II PCM

G-I PCM — DISCONTINUED

• See PB0038 for correct replacement kit part numbers. www.proheat.com

G-II PCM — CURRENT

- Works with all M-Series.
- Requires new Dual Mode Temp Sensor.
- Has different Aux connector.
- See PB0038 for correct replacement kit part numbers. www.proheat.com

